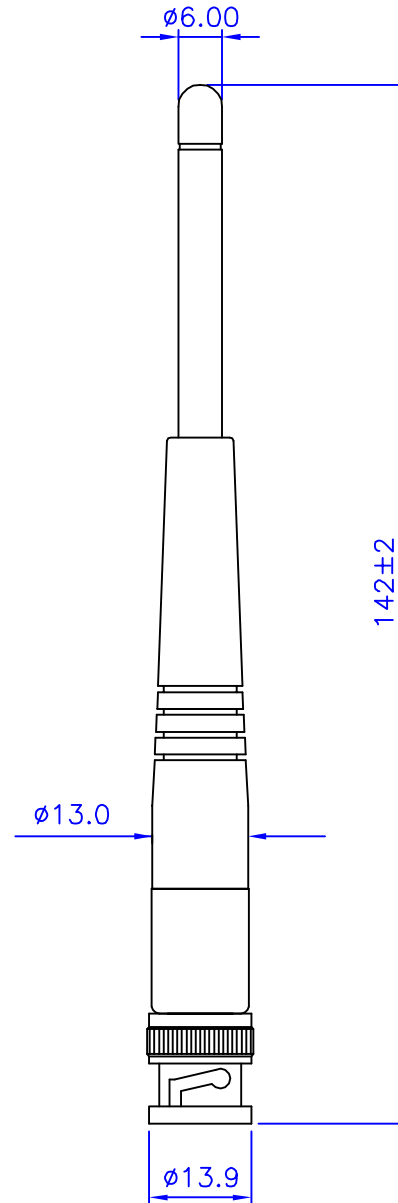


P/N: O145BC-1370
03/16/2006



Electrical Properties:

Frequency Range: 1.35~1.39 GHz
Impedance: 50Ω nominal
VSWR: <2.0:1
Gain: 2 dBi
Radiation: Omni
Polarization: Vertical
Wave: Half Wave Dipole

Mechanical Properties:

Connector: BNC Plug(male)
Material:
Whip: Polyurethane(Black)
Base: Polycarbonate(Black)
Connector: Brass(nickel or black chrome plating)
Operation Temp.: -20°C to +65°C
Storage Temp.: -30°C to +75°C

TITLE	1.37 GHz Straight Antenna 145 Model		VER
UNIT	DWG. NO.	AA02_02592	P/N: O145BC-1370
mm	NEARSON		
SCALE			
1:1	http://www.nearson.com		